


Version	2.0	Date	5/10/21
Prepared By	JC		

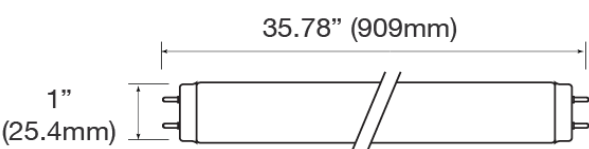
PRODUCT SPECIFICATION			
Category	Tube		
Item Number	4551		
Stock Code	LED12T8/36FR14/840/IF/G1		
Base	Bi-Pin		
Housing Color	White		
PICTURE			

ELECTRICAL CHARACTERISTICS			
Rated Wattage (W)	12	Replacement Wattage (W)	17
Tested Wattage (W)	12		
Input Voltage (V)	120-277V	Surge Protect Level	-
Voltage Frequency (Hz)	50/60	Dimmable	-
Input Current (A)	-	AUX (12V) Line	-
Power Factor	>0.9		
THD	<20%		

PHOTOMETRIC CHARACTERISTICS			
Lumen (lm)	1,450	CCT (K)	4000K
Efficacy (lm/w)	121	Beam Angle (°)	325°
CRI	80		

GENERAL CHARACTERISTICS	
Operating Temperature (°F)	-4°F ~ 113°
Storage Temperature (°F)	-40°F ~ 185°
IP Rating	Damp Location
IK Rating	-
Rated Life (Hrs)	50,000
Warranty (Yrs)	5

ACCESSORIES		
Item #	Stock Code	Description

PRODUCT DIMENSIONS			
Width- in / (mm)	1" / 25.4		
Height- in / (mm)	36" / 909		
Depth- in / (mm)	- / -		
IK Rating	-		
Weight (lbs)	0.35		
Mounting Height (ft)	-		
Cable Length (ft)	-		

CERTIFICATIONS			
UL/ETL	UL	CEC	
NSF/ETL Sanitation		JA8	
Energy Star		FCC	✓
DLC	5.1 Standard	RoHs	✓

DOCUMENTS			
LM79	✓	IES File	✓
LM80	✓	Dimmer List	

COMMENTS